

4

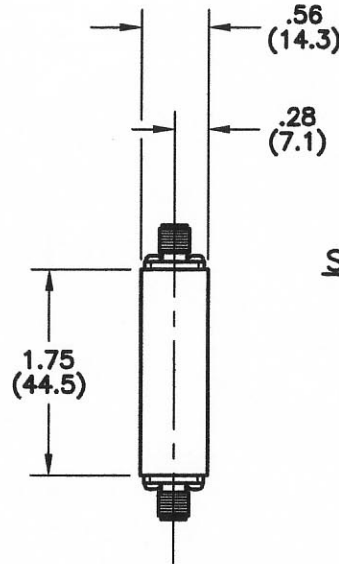
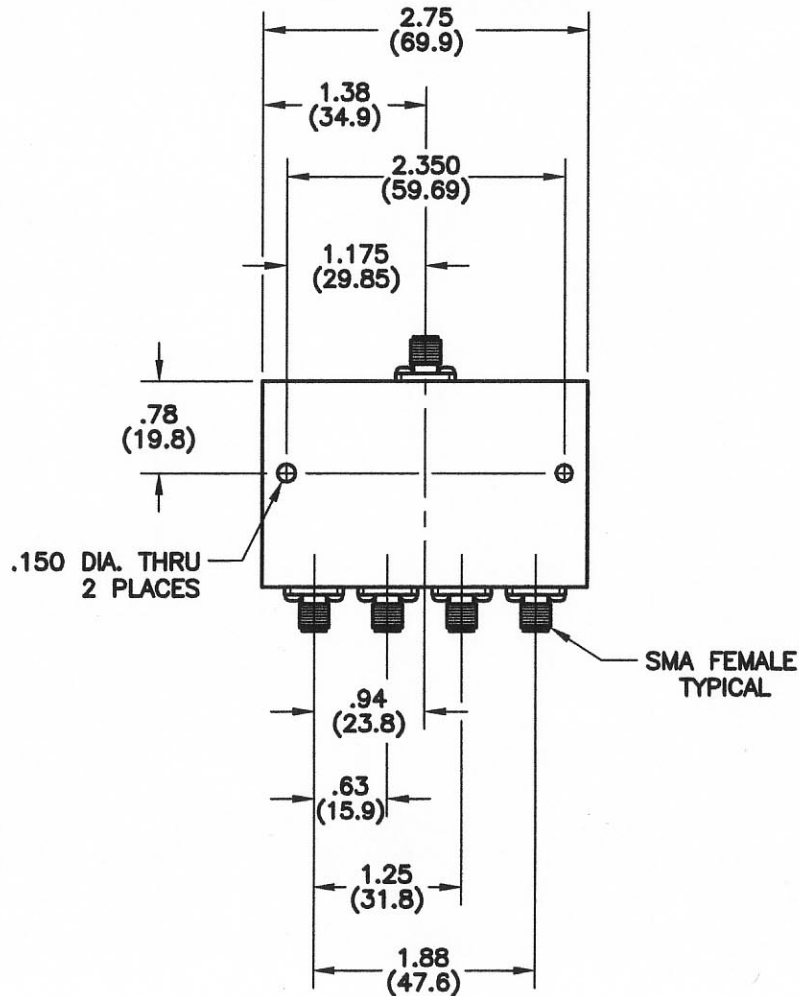
3

2

1

REVISIONS

REV	ZONE	DESCRIPTION	DATE	BY	ECO
A	3C	1.75(44.5) DIM. WAS 2.00(50.8)	8-11-06	GVC	---
	4C	.63(15.9) DIM. WAS .75(19.1)			
B	4C	REVISED MOUNTING HOLE PATTERN	1-8-07	GVC	---
	3/4B	REVISED CONNECTOR LOCATIONS			
C	2C	REVISED VSWR SPECIFICATION	2-7-07	GVC	---

SPECIFICATIONS

FREQUENCY RANGE: 800 TO 3000 MHz
 INSERTION LOSS: 0.5 dB MAX.
 ISOLATION: 20 dB MIN.
 VSWR: 1.35:1 TYP.
 POWER: 30 WATTS AVG. W/ LOAD VSWR 1.20:1 MAX.

DIMENSIONS: INCHES
(MILLIMETERS)

TOLERANCES

DEC.XX ± .03 FRAC ±
 .XXX ± .010 ANG ±

MATERIAL

FINISH

THE INFORMATION CONTAINED IN THIS DOCUMENT IS THE PROPERTY OF MICROWAVE DEVICES, INC. AND IS PROPRIETARY. IT IS NOT TO BE COPIED OR USED FOR ANY PURPOSE OTHER THAN AS INSTRUCTED, IN WRITING, BY MICROWAVE DEVICES, INC.

SIGNATURES

DATE

DR G.V.Cothren 2-10-05

CHK

APPD

APPD

MICROWAVE DEVICES
RF and Microwave Components

OUTLINE, 4-WAY POWER DIVIDER, MODEL 4PD1.9S

CAGE SIZE DRAWING NO.
60674 B 900511

DRAWING SCALE 1=1

SHEET 1 OF 1

CONTACT: MICROWAVE DEVICES - 1150 N. GRAHAM RD.
(317) 738-8833 FRANKLIN, IN 46131

DIMENSIONS ARE IN INCHES UNLESS OTHERWISE SPECIFIED.

4

3

2

1